

S.12HLA | S.HLA - 1/2" long-reach metric 6-point sockets

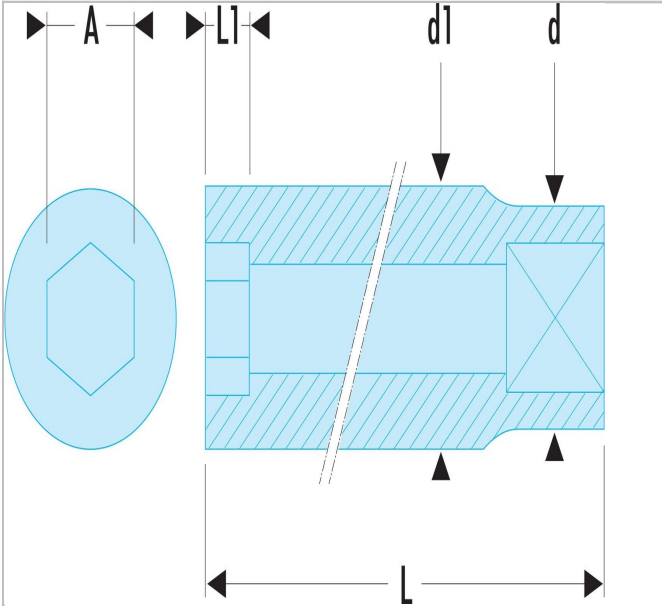



Standards:

NF ISO 2725-1, NF ISO 1711-1,
ISO 2725-1, ISO 1711-1, DIN
3124, ASME B107.5

Description:

- OGV® profile: more powerful tightening, preserves fasteners.
- Long-reach sockets for long recess or thread access.
- Finish: bright chrome.



 FACOM	S.12HLA
A [mm]	12.0
Hex Size [mm]	6.0
Diameter [mm]	21.8
Diameter D1 [mm]	17.8
Length L [mm]	77.0
Length L1 [mm]	12.0
Weight [g]	105.0