

## R.8 | R 1/4" drive metric 6-point sockets

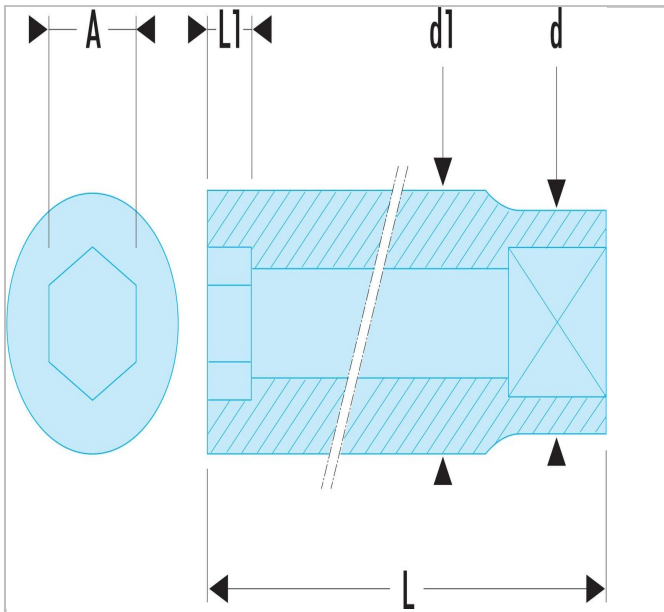



### Standards:

NF ISO 2725-1, NF ISO 1711-1,  
ISO 2725-1, ISO 1711-1, DIN  
3124, ASME B107.5

### Description:

- OGV® profile: more powerful tightening, preserves fasteners.
- Finish: bright chrome.
- Available as sets on metal rack (Ref R.40E).



|  | R.8  |
|--|------|
| A [mm]   | 8.0  |
| Diameter [mm]  | 12.0 |
| Diameter D1 [mm]   | 12.0 |
| Length L [mm]  | 22.0 |
| Length L1 [mm]   | 6.5  |
| Height H3 [mm]   | 6.5  |