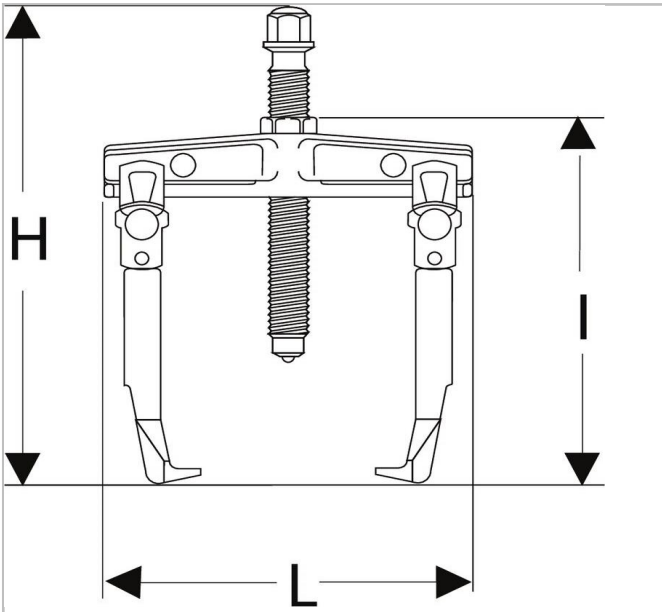



## U.306A140 | U.306 - Outside pullers



### Description:

- Versatile: takes 2 or 3 legs. Converts into inside puller with the legs U.306G2 + screw U.306-4 or legs U.306G20 + screw U.306-2.
- Comfort: self-gripping legs by return spring. The puller stays in rolling position even when not in tension.
- Safety: legs locked in position on the bearing using a knob. No risk for the puller to escape from the bearing.
- Shear pin: the pin shears if torque limit is exceeded. Supplied with 2 spare pins.
- Set of 3 spare pins. Refer to spares table according to puller power.
- Adaptable puller accessories: slide hammer U.306M (direct attachment) and beam U.40 (attached using ring and nut U.306A1 to be ordered separately).
- The U.306-260 puller is supplied with the U.306-3 screw fitted with its extension.



	<b>U.306A140</b>
Depth Maxi [mm]	147.0
Length L [mm]	130.0
Height H [mm]	262.0
C Mini - Maxi [mm]	7 - 140
Length [mm]	225.0
Hex Size [mm]	18.0
Screw Size ["]	U.306-4
t ["]	30.0
Weight [Kg]	1.6
Legs_Multi ["]	U.306G1
Screw Size Multi ["]	18.0
Tonnes ["]	3.0