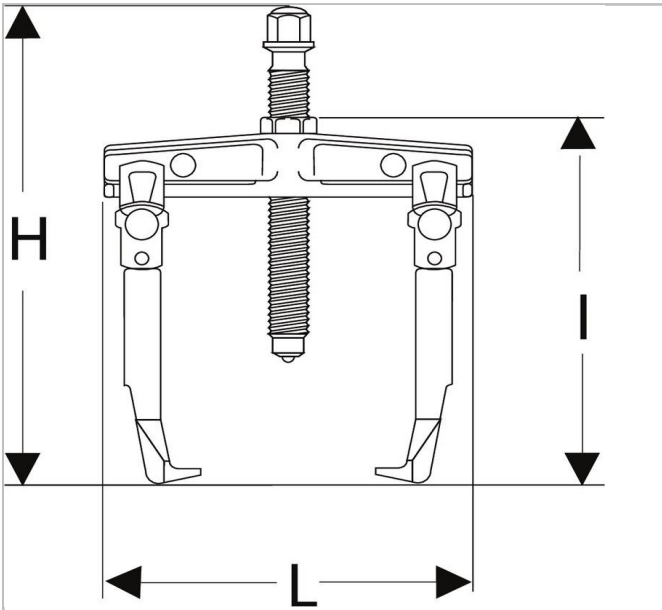



## U.310-230N | Inside puller



### Description:

- Versatile: takes 2 or 3 legs. Converts into outside puller with the legs U.306G1 + screw U.20B1 or legs U.310G2 + screw U.310-250-10.
- Comfort: self-gripping legs by return spring. The puller stays in rolling position even when not in tension.
- Safety: legs locked in position on the bearing using a knob. No risk for the puller to escape from the bearing.
- Adaptable puller accessories: hydraulic screw U.3 and slide hammer U.2.



	U.310-230N
Depth Maxi [mm]	200.0
Length L [mm]	180.0
Height H [mm]	400.0
C Mini - Maxi [mm]	50 - 230
Length [mm]	360.0
Hex Size [mm]	24.0
Screw Size ["]	U.20B1
t ["]	100.0
Weight [Kg]	4.1
Legs_Multi ["]	U.310G3
Screw Size Multi ["]	24.0
Tonnes ["]	10.0