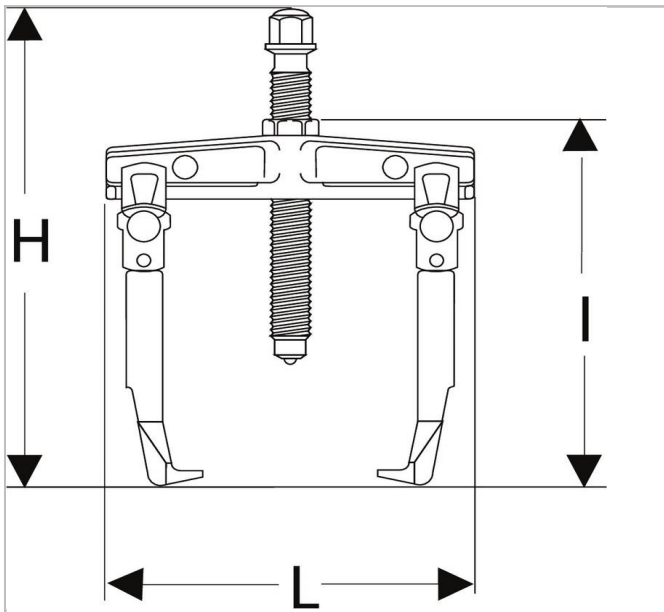



U.310-170 | U.310 - Outside pullers



Description:

- Versatile: takes 2 or 3 legs. Converts into inside puller with the legs U.306G3 + screw U.20B1.
- Comfort: self-gripping legs by return spring. The puller stays in rolling position even when not in tension.
- Safety: legs locked in position on the bearing using a knob. No risk for the puller to escape from the bearing.
- Adaptable puller accessories: hydraulic screw U.3 and slide hammer U.2.



	U.310-170
Depth Maxi [mm]	170.0
Length L [mm]	143.0
Height H [mm]	365.0
C Mini - Maxi [mm]	15 - 170
Length [mm]	300.0
Hex Size [mm]	24.0
Screw Size ["]	U.20B1
t ["]	100.0
Weight [Kg]	4.6
Legs_Multi ["]	U.310G1
Screw Size Multi ["]	24.0
Tonnes ["]	10.0