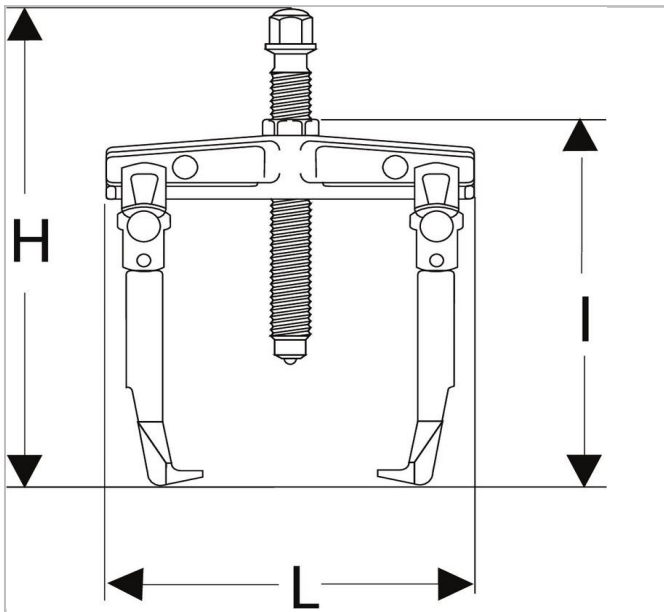



U.20B | Long-reach leg outside puller



Description:

- Safety: legs locked in position on the bearing using the central nut. No risk for the puller to escape from the bearing.
- Shear pin: the pin shears if torque limit is exceeded. Supplied with 2 spare pins.
- Set of 3 spare pins. U.306-24J3.
- Fitted with the anti-rotation bush U.20-12. The button protects the screw when a bar is used to block puller rotation.
- Adaptable puller accessory: slide hammer U.2.



	U.20B
Depth Maxi [mm]	220.0
Length L [mm]	125.0
Height H [mm]	370.0
C Mini - Maxi [mm]	25 - 260
Length [mm]	325.0
Legs_Multi ["]	U.20BSE4
Screw Size ["]	U.20-B1S
Screw Size Multi [mm]	24.0
Tonnes ["]	7.0
t ["]	70.0
Weight [Kg]	4.3