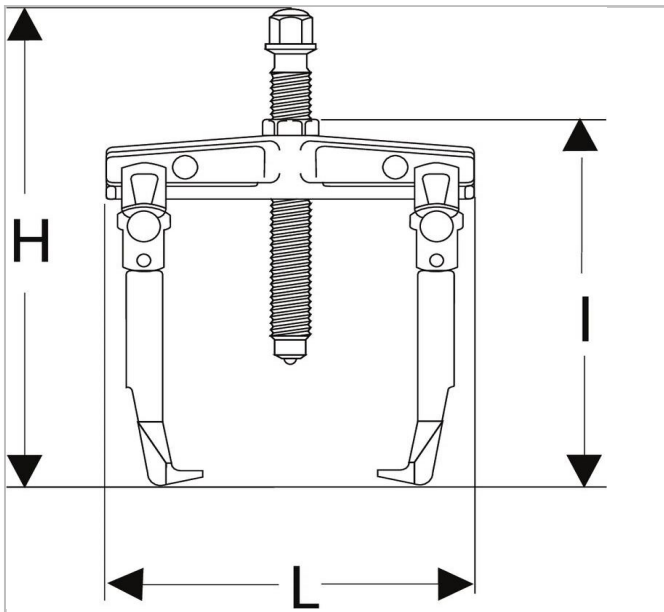



U.35L | U.35 - Pullers with outside wide legs



Description:

- Safety: use in "uncrossed legs" configuration doubles capacity, but the "cross-legged" configuration should be used preferably.
- Adaptable puller accessory: slide hammer U.306M for U.35 and U.35L.
- Set of 2 spare pins: - U.42-5J2 for U.35P. - U.35-5J2 for U.35 and U.35L.



	U.35L
Depth Maxi [mm]	130.0
Length L [mm]	90.0
Height H [mm]	225.0
C Mini - Maxi [mm]	15 - 75
Length [mm]	188.0
Screw Size ["]	U.35SE1 + U.35SE3
Tonnes ["]	3.0
t ["]	30.0
Weight [Kg]	1.2