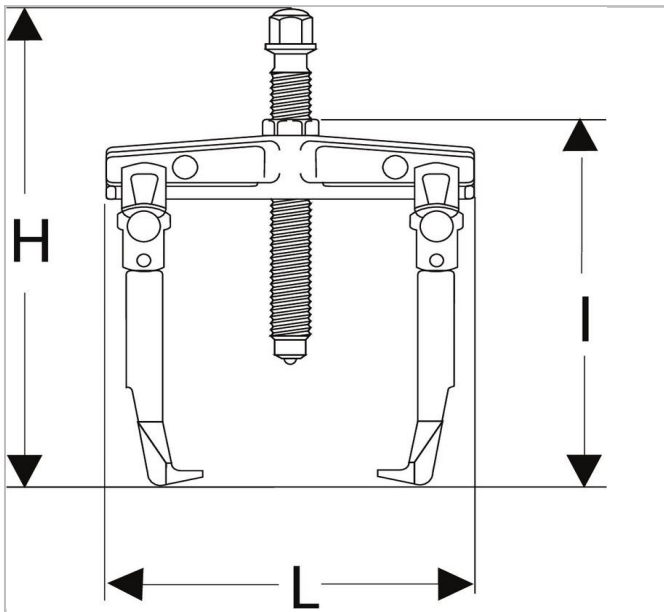



U.42B | U.42 - Pullers with yoke



Description:

- The U.42 and U.42B models have legs designed specifically for gearbox bearings.
- Spare yoke for U.42 and U.42B: U.42SE2.
- Set of 2 spare pins for U.42 and U.42B: U.42-5J2.



	U.42B
Depth Maxi [mm]	180.0
Length L [mm]	160.0
Height H [mm]	240.0
C Mini - Maxi [mm]	10 - 85
Length [mm]	225.0
Hex Size [mm]	13.0
Legs_Multi ["]	U.42B3
Screw Size ["]	U.42-1
Screw Size Multi [mm]	13.0
Tonnes ["]	1.5
t ["]	15.0
Weight [Kg]	1.6