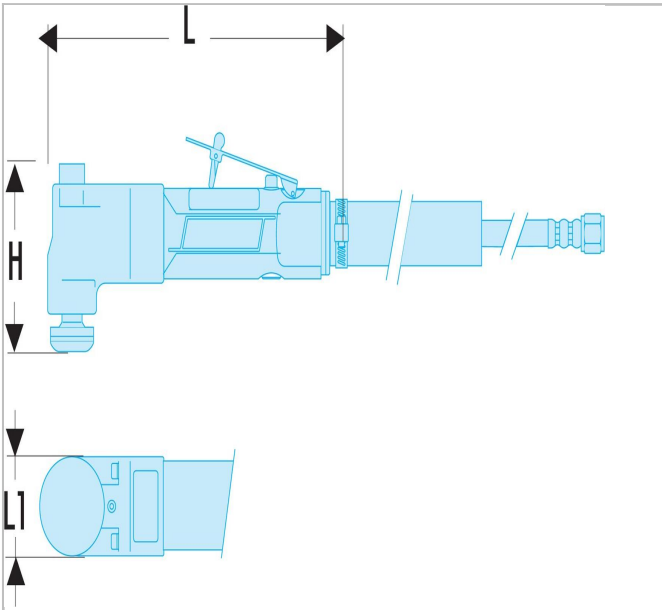



## CAD.P300F | Windshield cutter



### Description:

- 20,000 oscillations per min reduces time to replace a windshield.
- Exhaust hose muffles the sound and drives air away from the workplace and the operator.
- Safety trigger protects the user from switching on the tool accidentally.
- Durable aluminium housing.
- Oscillations per minute : 22000.
- Working pressure 6,2 bar.
- Average air consumption 100 l/min.
- Average air consumption 3,4 cfm.
- Air inlet 1/4.
- Minimum hose diameter 10 mm - 3/8".
- Vibration 7,30 m/s<sup>2</sup>/a.
- Vibration 1,22 m/s<sup>2</sup>/K.
- Sound pressure 82 dB(A).
- Sound power 93 dB(A).
- Supplied with instructions, without blade.



	CAD.P300F
Height H [mm]	85.0
Length L [mm]	209.0
Length L1 [mm]	45.0
Weight [Kg]	1.2