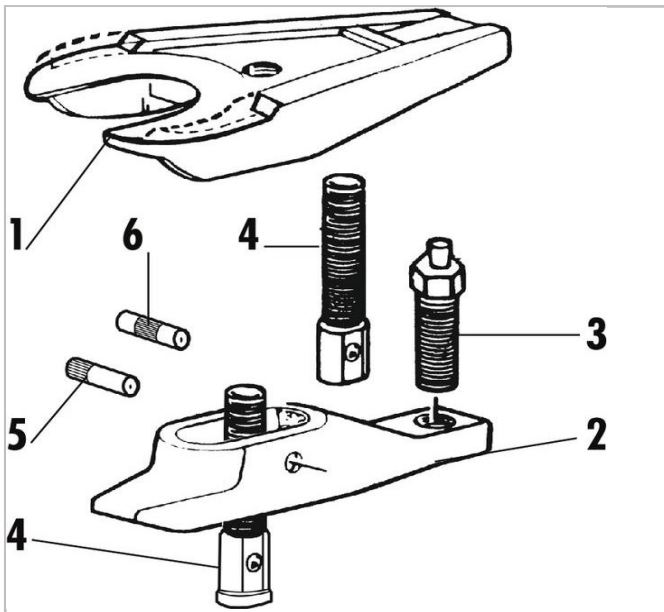



U.16B | U.16 - Ball joint pullers



Description:

- Used to dismount steering and suspension ball joints.
- U.16-05J3: Set of 3 pins for U.16B and U.16A18.
- U.16-A45-05J3: Set of 3 shear pins for U.16B32 and U.16B45.



 U.16B	
A [mm]	45.0
Length L [mm]	100.0
Length [mm]	100.0
Weight [Kg]	0.665
Diameter [mm]	22.0