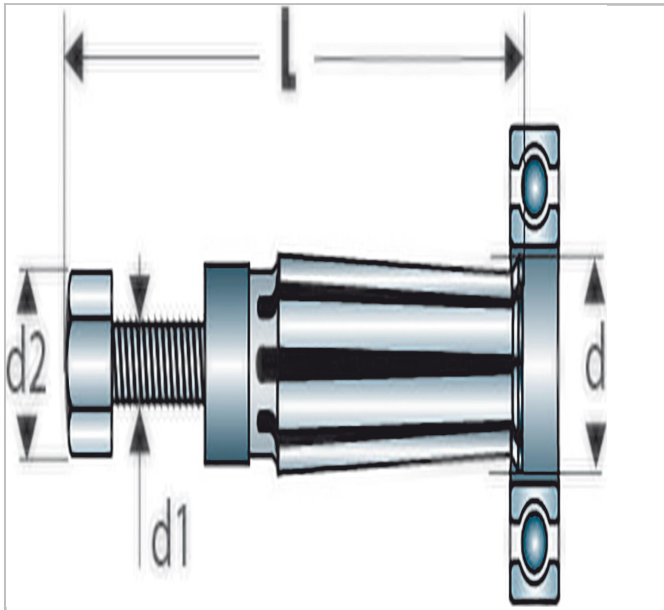



U.49P6 | U.49P - Clamps for inside grip



Description:

- High impact and screwing / unscrewing resistance.
- Multiple flexible blades and hardly sensitive to distortion.
- Easy to use.



|  | U.49P6 |
|--|-----------|
| Length L [mm] | 139.0 |
| Diameter D Maxi [mm] | 30.0 |
| Diameter D Mini - Maxi [mm] | 22.5 - 30 |
| Diameter D1 [mm] | 1/2" |
| Diameter D2 [mm] | 17.0 |
| Weight [Kg] | 0.3 |