

## S.21HLA | S.HLA - 1/2" long-reach metric 6-point sockets

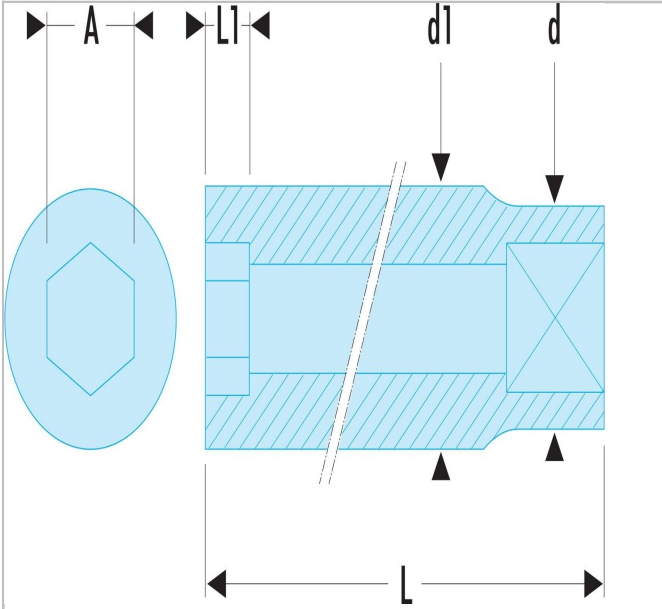



### Standards:

NF ISO 2725-1, NF ISO 1711-1,  
ISO 2725-1, ISO 1711-1, DIN  
3124, ASME B107.5

### Description:

- OGV® profile: more powerful tightening, preserves fasteners.
- Long-reach sockets for long recess or thread access.
- Finish: bright chrome.



 FACOM	S.21HLA
A [mm]	21.0
Hex Size [mm]	6.0
Diameter [mm]	27.0
Diameter D1 [mm]	29.0
Length L [mm]	77.0
Length L1 [mm]	18.0
Weight [g]	200.0