

311B.60 | 311B - Magnetic levels, 1 machined sole plate

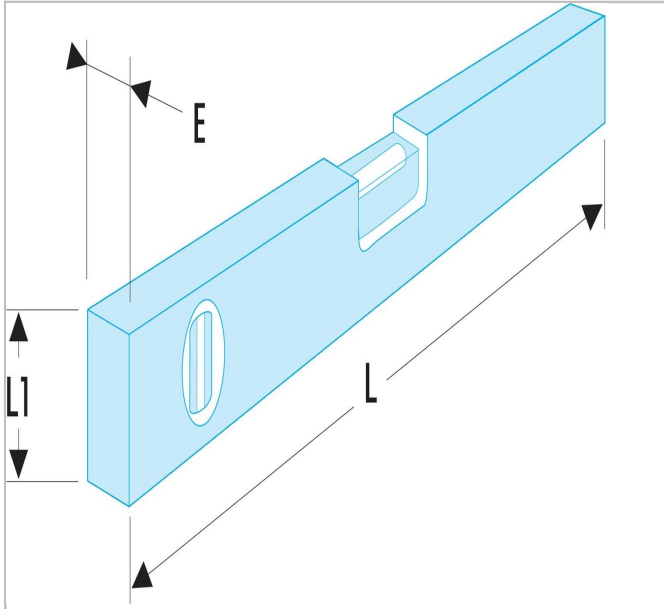



Standards:

DIN 877

Description:

- In reverse position, accuracy 0.5 mm/m.
- Fitted with a vertical vial, horizontal vial, and a declivity vial.



 311B.60	
Length L [mm]	600.0
Length L1 [mm]	54.0
Thickness E [mm]	25.0
Weight [g]	184.0