

## 307BM.40 | 307BM - Magnetic trapezoidal levels

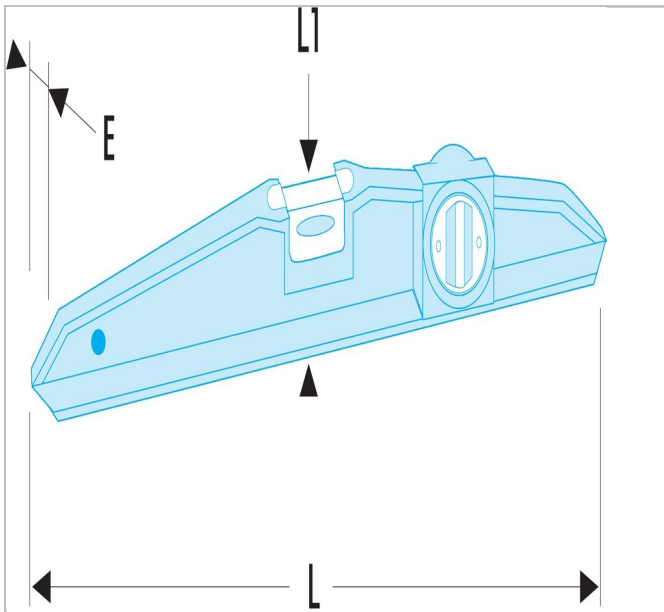



### Standards:

**DIN 877**

### Description:

- In reverse position, accuracy 0.75 mm/m.
- Massive light alloy body, pressure moulded.
- Electrostatic powder protective coating.



 307BM.40	
Length L [mm]	400.0
Length L1 [mm]	50.0
Thickness E [mm]	23.0
Weight [g]	420.0