

307BM.60 | 307BM - Magnetic trapezoidal levels

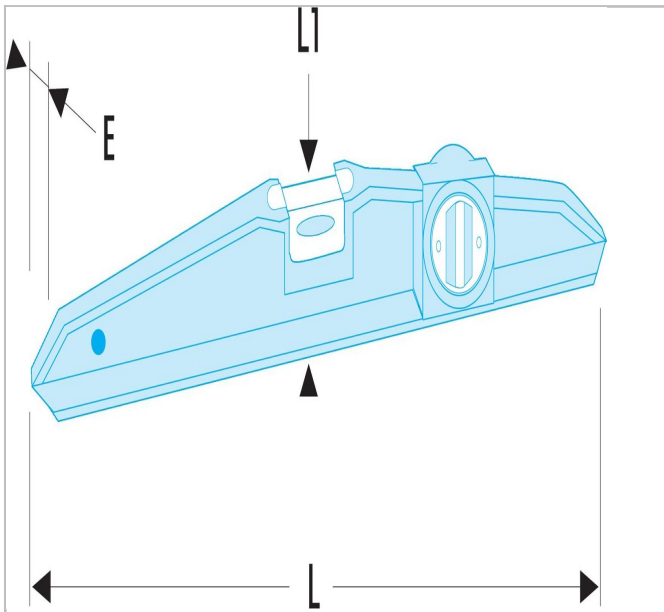



Standards:

DIN 877

Description:

- In reverse position, accuracy 0.75 mm/m.
- Massive light alloy body, pressure moulded.
- Electrostatic powder protective coating.



 307BM.60	
Length L [mm]	600.0
Length L1 [mm]	50.0
Thickness E [mm]	23.0
Weight [g]	500.0