

307BM.25 | 307BM - Magnetic trapezoidal levels

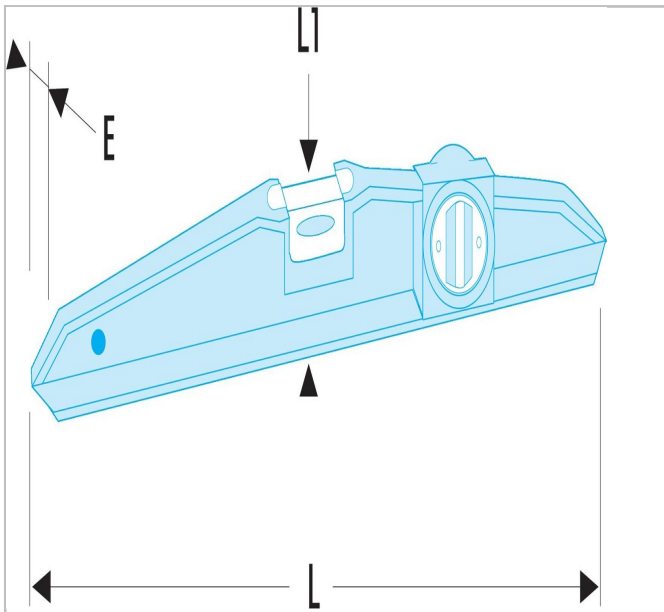



Standards:

DIN 877

Description:

- In reverse position, accuracy 0.75 mm/m.
- Massive light alloy body, pressure moulded.
- Electrostatic powder protective coating.



|  307BM.25 | |
|---|-------|
| Length L [mm] | 250.0 |
| Length L1 [mm] | 45.0 |
| Thickness E [mm] | 22.0 |
| Weight [g] | 200.0 |