

S.24HLA | S.HLA - 1/2" long-reach metric 6-point sockets

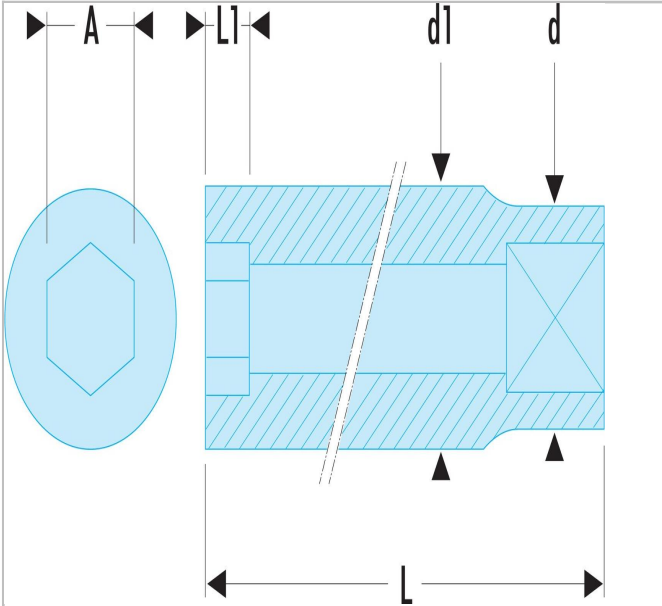



Standards:

NF ISO 2725-1, NF ISO 1711-1,
ISO 2725-1, ISO 1711-1, DIN
3124, ASME B107.5

Description:

- OGV® profile: more powerful tightening, preserves fasteners.
- Long-reach sockets for long recess or thread access.
- Finish: bright chrome.



|  | S.24HLA |
|----------------------------------------------------------------------------------|---------|
| A [mm] | 24.0 |
| Hex Size [mm] | 6.0 |
| Diameter [mm] | 30.0 |
| Diameter D1 [mm] | 32.8 |
| Length L [mm] | 77.0 |
| Length L1 [mm] | 24.0 |
| Weight [g] | 255.0 |