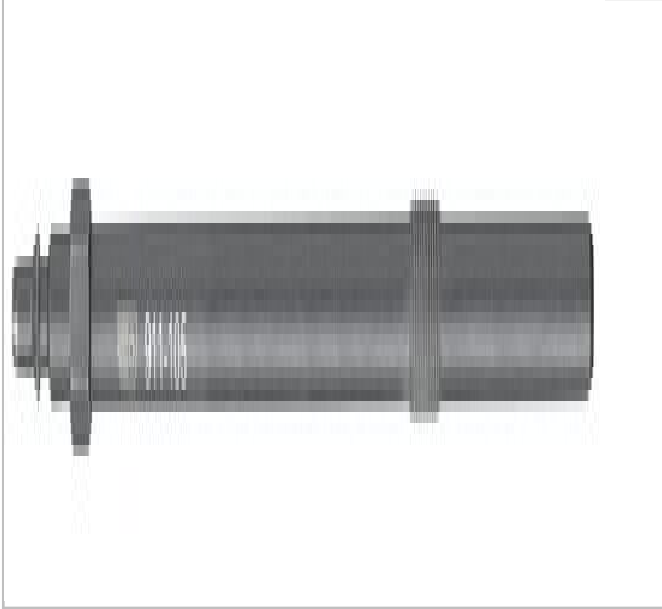


911-105 | Diesel dummy glow plugs 10 mm



Description:

- For testing diesel engine compression.
- For use with FACOM 911 reader.
- Fitted with a non-return valve.

	911-105
Weight [g]	85.0