

82H.6 | 82H - Short metric keys

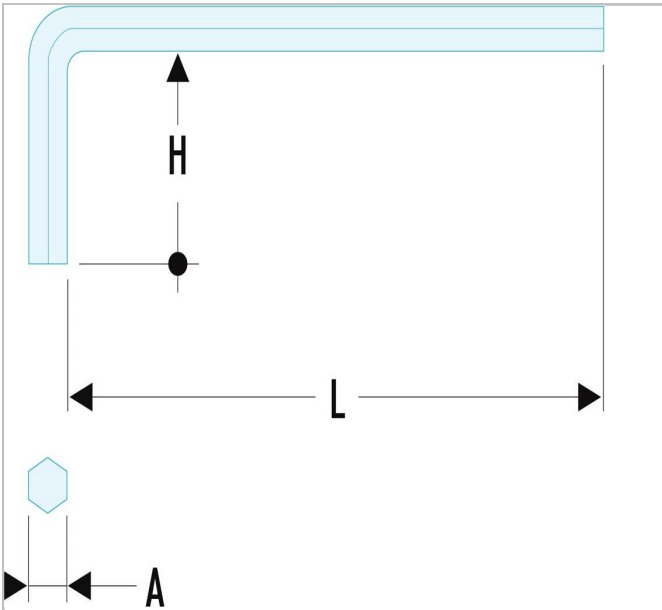



Standards:

NF ISO 2936, ISO 2936, DIN ISO 2936, ASME B18.3.2M

Description:

- Manufactured in silicon steel.
- Finish: phosphate-coated.



 82H.6	
A [mm]	6.0
Length L [mm]	90.0
Height H [mm]	32.0
Weight [g]	30.0