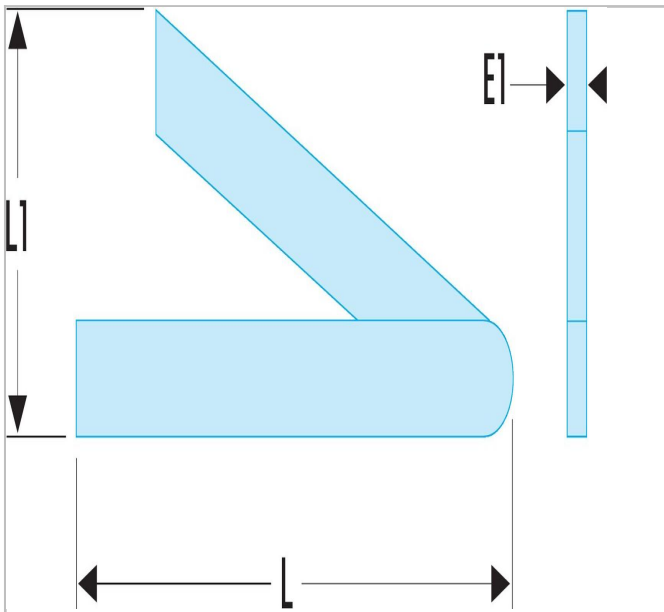



## 817.30 | 817 - Dummy squares



### Description:

- Surface and edges in ground steel.



	<b>817.30</b>
Thickness E1 [mm]	15.0
Weight [g]	480.0
Length L1 [mm]	24 - 285