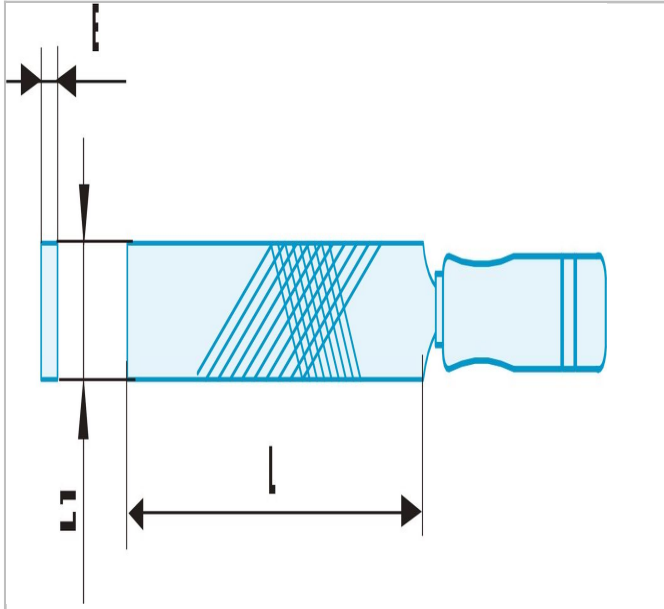



PAM.MD250SR | PAM.MDSR - Non sparking flat second-cut file



Description:

- Special non sparking and anti-magnetic Copper-Beryllium alloy.
- For safety purposes, FACOM uses wooden handles to prevent any risk of sparks. This is not the case of certain bi-material plastic handles.



	PAM.MD250SR
Length L [mm]	250.0
Weight [g]	282.0