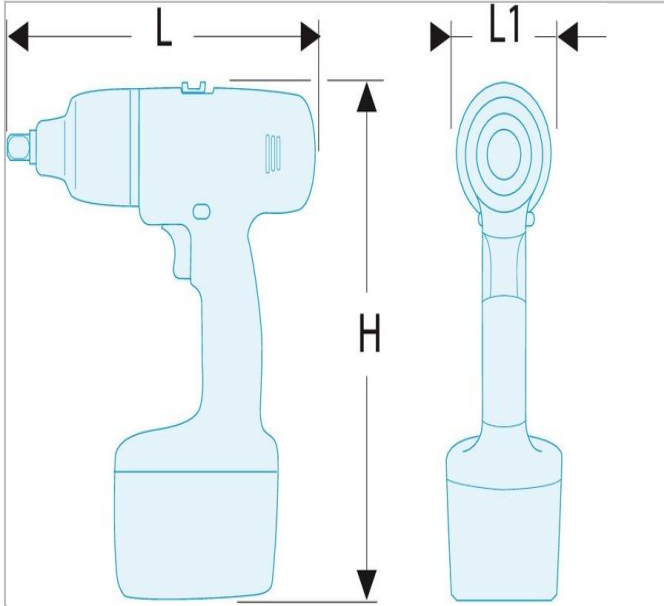



CL3.CH18SP2 | 18V 1/2" High Torque Impact Wrench 5.0Ah Kit



Description:

- Delivers a torque of 1625 N.m for heavy duty applications
- Brushless motor offering superb runtime and durability
- 3 speed settings and variable trigger offer greater control
- Super-bright LED illuminates workspace
- GRP casing resistant to harsh chemicals
- Includes 2x 5.0Ah batteries, a charger and ToughSystem kitbox



	CL3.CH18SP2
Height H [mm]	280.0
Length L [mm]	224.0
Length L1 [mm]	85.0
Torque NM. [Nm]	1625.0
Vibration Level [m/s ²]	13 (K=5,9)
Maximum Speed [rpm]	1900.0
Weight [Kg]	8.7