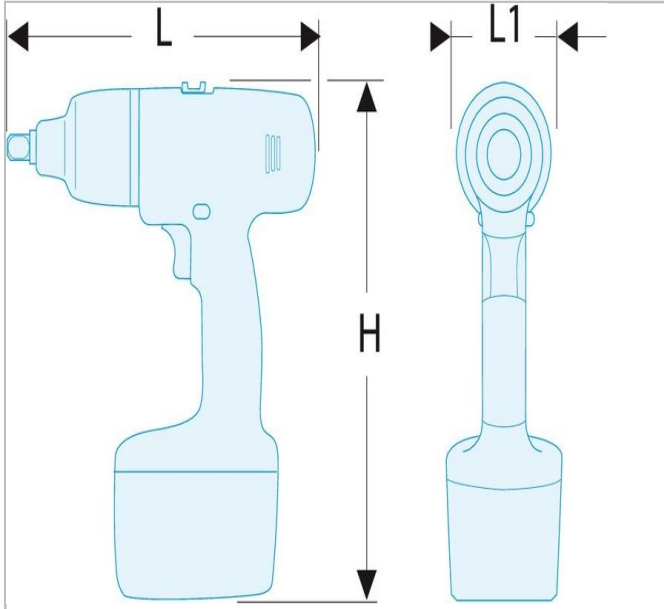



CL3.CH18SD | 18V 1/2" High Torque Impact Wrench (Naked)



Description:

- Delivers a torque of 1625 N.m for heavy duty applications
- Brushless motor offering superb runtime and durability
- 3 speed settings and variable trigger offer greater control
- Super-bright LED illuminates workspace
- GRP casing resistant to harsh chemicals



|  | CL3.CH18SD |
|--|------------|
| Height H [mm] | 229.0 |
| Length L [mm] | 224.0 |
| Length L1 [mm] | 85.0 |
| Torque NM. [Nm] | 1625.0 |
| Vibration Level [m/s ²] | 13 (K=5,9) |
| Maximum Speed [rpm] | 1900.0 |
| Weight [Kg] | 2.5 |