

985919 | Hexagonal crimping dies

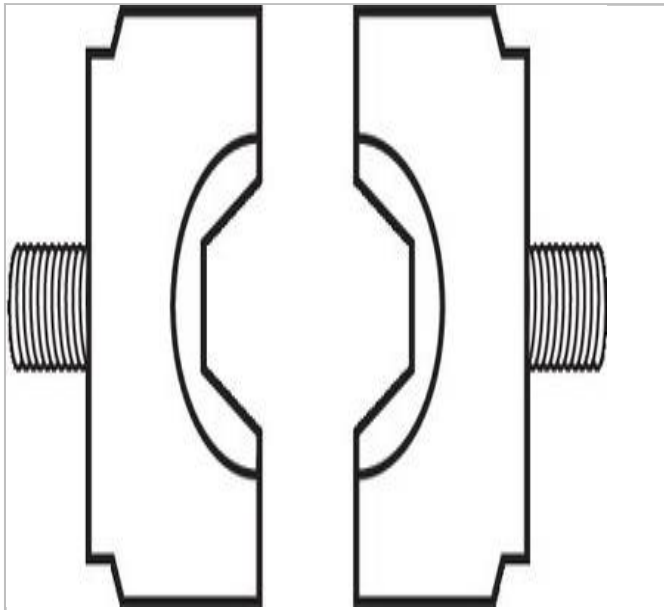


Standards:

NFC 20-130

Description:

- For crimping pliers 985913.
- For tubular terminals and sleeves.



	985919
Weight [g]	79.0