

## 985920 | Hexagonal crimping dies

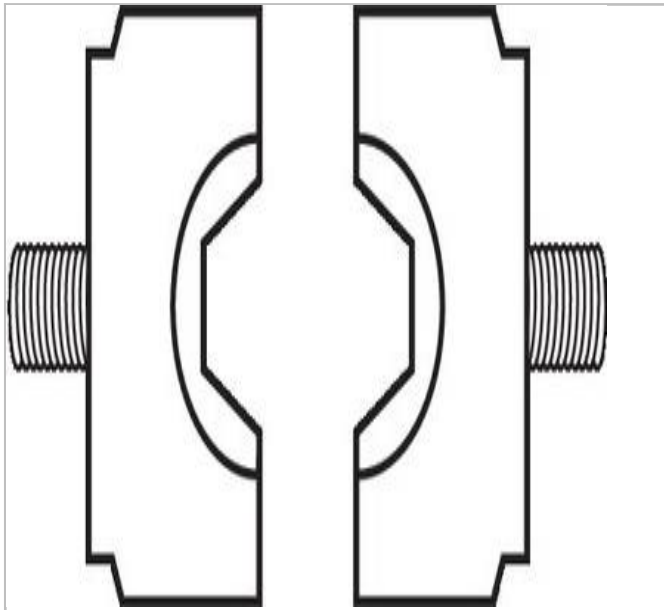


### Standards:

**NFC 20-130**

### Description:

- For crimping pliers 985913.
- For tubular terminals and sleeves.



	<b>985920</b>
Weight [g]	78.0