

## 405.MT | Micro-Tech® "compact" cutters: handling

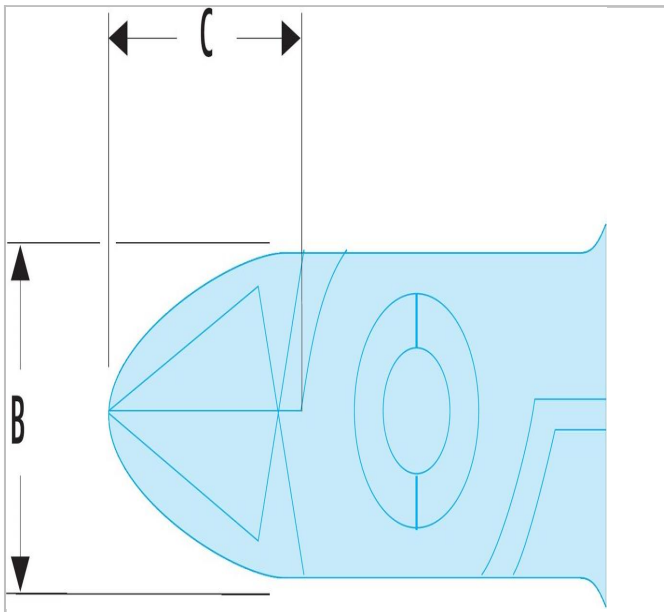



### Standards:

NF ISO 9654, ISO 9654, DIN ISO 9654, ASME B107.500

### Description:

- These pliers combine cutting performance with accessibility thanks to their new slim diagonal shape.
- Fall prevention models avoid wire ejection. The 405.MT pliers allow to cut piano wire up to 0.4 mm.



	405.MT
Length L [mm]	110.0
Thickness E [mm]	7.0
Head Height C [mm]	9.5
Head Width B [mm]	10.5
Cu - Ni Diameter [mm]	0.3 - 1.3
Cut [°]	h
Fe Wire 30 HRc Diameter [mm]	0.7
Piano Diameter [mm]	0.4
Weight [g]	60.0