

426.MT | Micro-Tech® "long thin" cutters with clearance

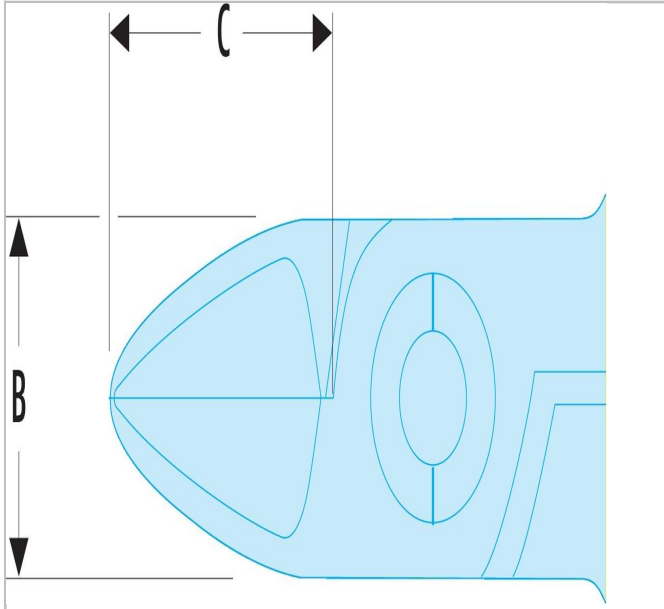



Standards:

NF ISO 9654, ISO 9654, DIN ISO 9654, ASME B107.500

Description:

- These pliers allow to cut behind components and pass under obstacles (coils, resistors...).



	426.MT
Length L [mm]	110.0
Thickness E [mm]	7.0
Head Height C [mm]	13.0
Head Width B [mm]	10.5
Cu - Ni Diameter [mm]	0.1 - 1.2
Cut [°]	i
Weight [g]	60.0