

## 416.RMT | Micro-Tech® "machined" cutters

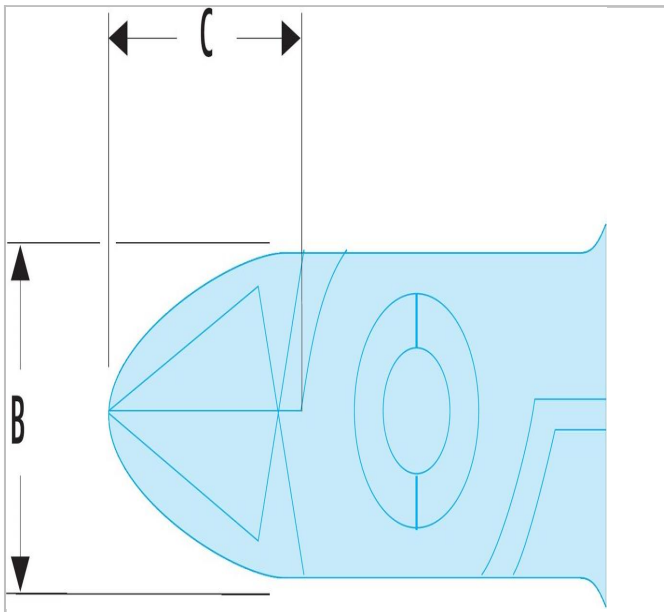



### Standards:

NF ISO 9654, ISO 9654, DIN ISO 9654, ASME B107.500

### Description:

- Compact noses for difficult access.
- Fall prevention models avoid wire ejection.



 416.RMT	
Length L [mm]	110
Thickness E [mm]	7
Head Height C [mm]	10.5
Head Width B [mm]	10.5