

416.12MT | Micro-Tech® "high capacity machined" cutters

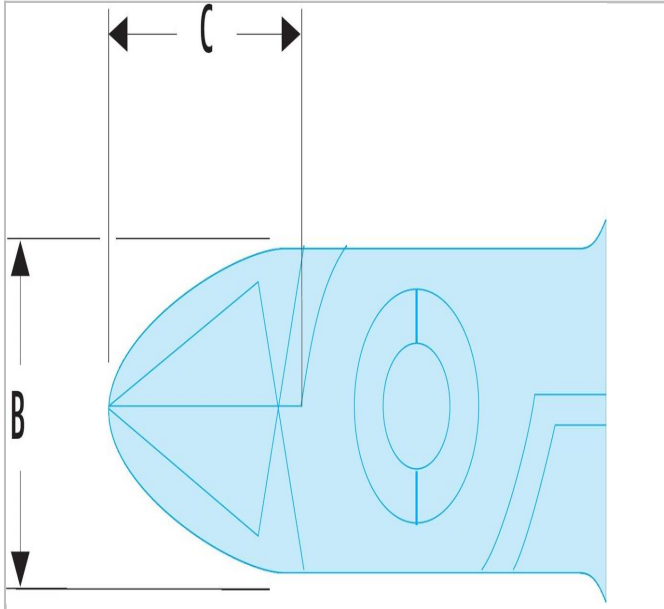



Standards:

NF ISO 9654, ISO 9654, DIN ISO 9654, ASME B107.500

Description:

- Broadly dimensioned for large series work.
- Semi-flush cutting.



	416.12MT
Length L [mm]	125
Thickness E [mm]	8.0
Head Height C [mm]	16.0
Head Width B [mm]	16