

## 416.MT | Micro-Tech® "machined" cutters

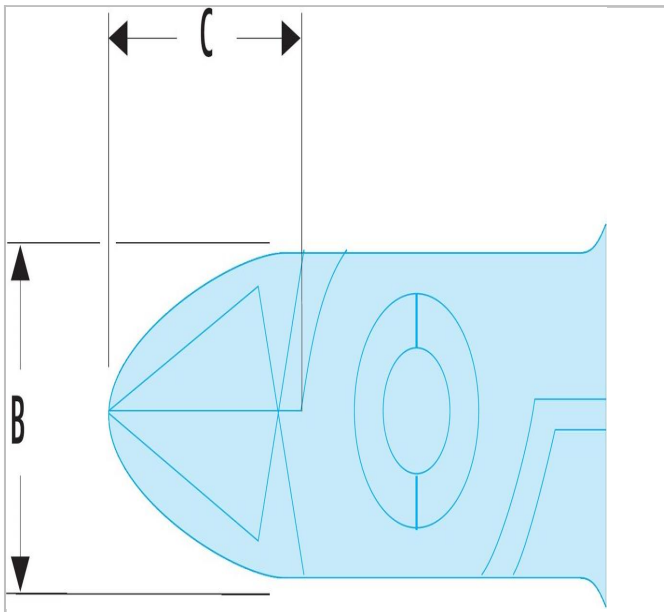



### Standards:

NF ISO 9654, ISO 9654, DIN ISO 9654, ASME B107.500

### Description:

- Compact noses for difficult access.
- Fall prevention models avoid wire ejection.



	416.MT
Length L [mm]	110.0
Thickness E [mm]	7.0
Head Height C [mm]	10.5
Head Width B [mm]	10.5
Cu - Ni Diameter [mm]	0.1 - 1
Cut [°]	H
Fe Wire 30 HRc Diameter [mm]	0.5
Weight [g]	60.0