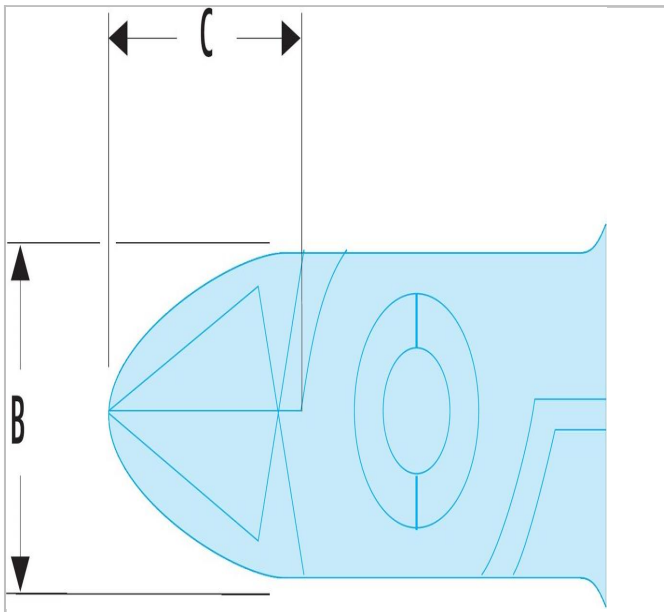



416.E | ESD "tip" cutters



Description:

- Protection of electronic components from risks of electrostatic discharge (ESD).
- Compact noses for difficult access.



	416.E
Length L [mm]	110
Thickness E [mm]	7
Head Height C [mm]	10.5
Head Width B [mm]	10.5