

417.PE | ESD thin nose "machined" cutters: handling

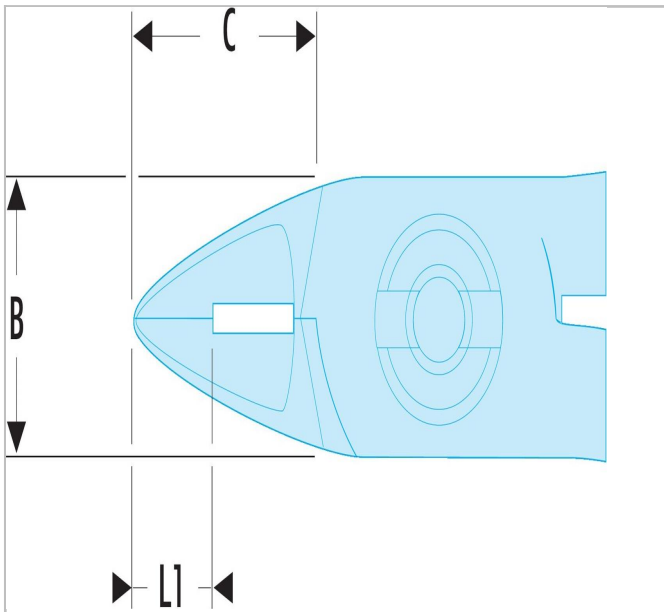



Standards:

NF ISO 9654, ISO 9654, DIN ISO 9654, ASME B107.500

Description:

- Protection of electronic components from risks of electrostatic discharge (ESD).
- These pliers pass under all obstacles of the PCB and provide better visibility.



	417.PE
Length L [mm]	110
Thickness E [mm]	7
Head Height C [mm]	10.5
Head Width B [mm]	10.5