

406.E | ESD "compact" cutters: handling

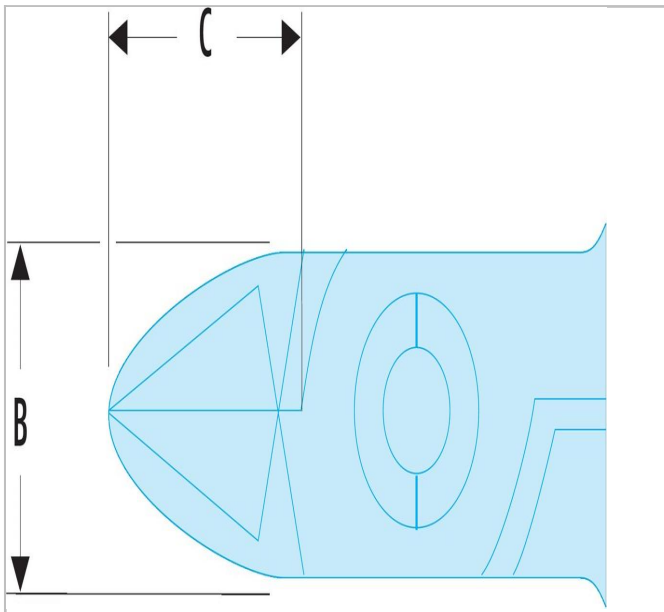



Standards:

NF ISO 9654, ISO 9654, DIN ISO 9654, ASME B107.500

Description:

- Protection of electronic components from risks of electrostatic discharge (ESD).
- These pliers combine cutting performance with handling thanks to their new slim diagonal shape.
- The 405.MT pliers allow to cut piano wire up to 0.4 mm.



	406.E
Length L [mm]	110
Thickness E [mm]	7
Head Height C [mm]	9.5
Head Width B [mm]	10.5