

435.RE | ESD "extended" cutters: access

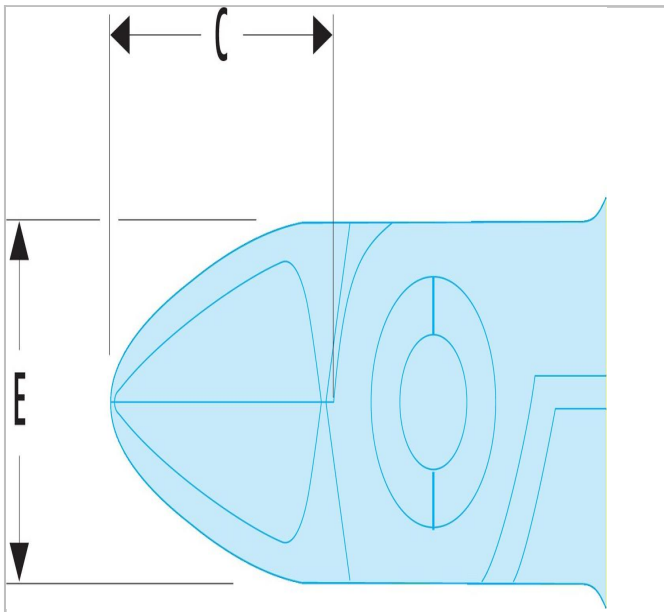



Standards:

NF ISO 9654, ISO 9654, DIN ISO 9654, ASME B107.500

Description:

- Protection of electronic components from risks of electrostatic discharge (ESD).
- These pliers allow to go further; up to + 1.5 to 2 mm compared with standard pliers.
- Fall prevention models avoid wire ejection.



	435.RE
Length L [mm]	110
Thickness E [mm]	7
Head Height C [mm]	13.0
Head Width B [mm]	10.5