

## 426.E | ESD "long thin" cutters with clearance

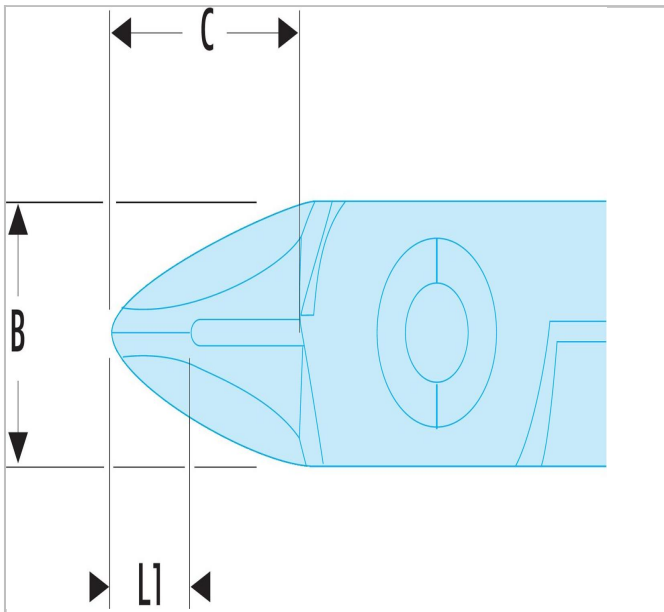



### Standards:

NF ISO 9654, ISO 9654, DIN ISO 9654, ASME B107.500

### Description:

- Protection of electronic components from risks of electrostatic discharge (ESD).
- These pliers allow to cut behind components and pass under obstacles (coils, resistors...).



	426.E
Length L [mm]	110
Thickness E [mm]	7
Head Height C [mm]	13.0
Head Width B [mm]	10.5