

## 417.SPE | ESD diagonal cutters for DIP-CMS components

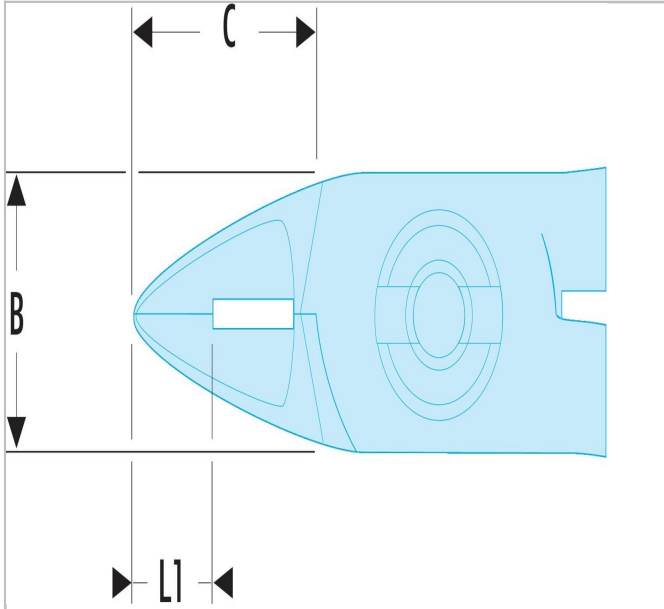



### Standards:

NF ISO 9654, ISO 9654, DIN ISO 9654, ASME B107.500

### Description:

- Protection of electronic components from risks of electrostatic discharge (ESD).
- These pliers provide access between two legs of "DIP" components with a 0.65 mm gap. Due to their shape, these pliers can be used only in this configuration.



	417.SPE
Length L [mm]	110
Length L1 [mm]	6.5
Thickness E [mm]	7.0
Head Height C [mm]	10.5
Head Width B [mm]	10.5