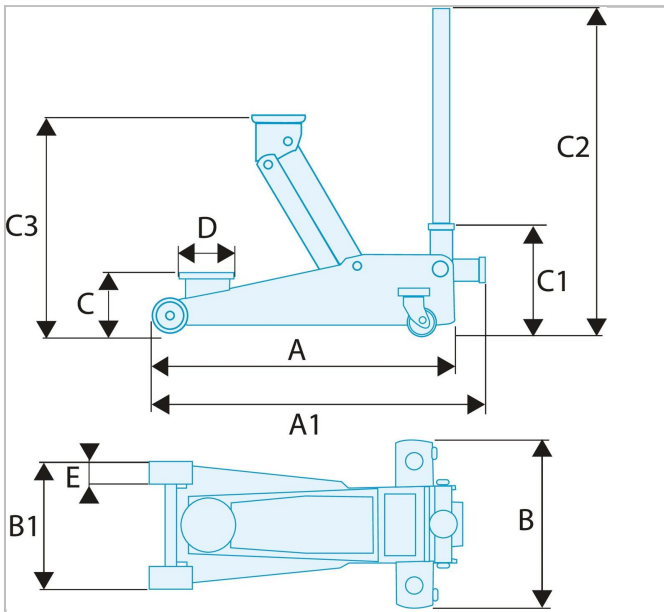



DL.3CLP | 3T extra-flat compact trolley jack



Description:

- Ideal for low ground clearance vehicles, or fitted with rocker panel protections.
- Load capacity: 3 t.
- Maximum lifting height: 533 mm
- Minimum height under body: 100 mm.
- Quick lift double piston mechanism.
- Load descent rate regulation.
- Supplied with steel / rubber under-body bearing plate.
- Silent-running nylon tyred wheels.
- EC standard EN1494-ASME-PASE.



	DL.3CLP
A [mm]	688.0
Length L [mm]	688.0
Thickness E [mm]	52.0
Head Height C [mm]	100.0
Head Height C1 [mm]	230.0
Head Width B [mm]	375.0
Head Width B1 [mm]	285.0
Length [mm]	375.0
Weight [Kg]	42.0
Tonnes [t]	3.0
f [mm]	true