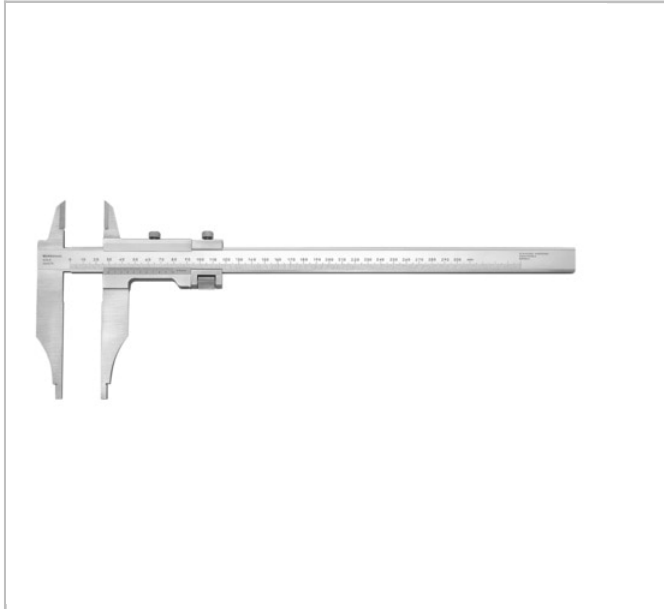


805.S | Universal caliper - 300 mm - 1/50th

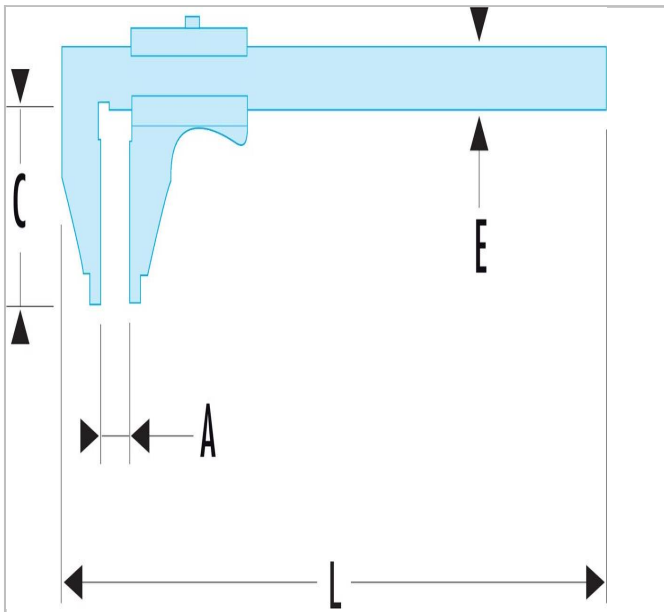



Standards:

NF EN ISO 13385-1, ISO 13385-1,
DIN 862

Description:

- Accuracy: 1/50th - 0.02 mm.
- Measurement capacity: 300 mm.
- Interior, exterior measurement (bore exceeding 10 mm).
- Stainless steel rule - mat finish.
- Rule hardness: 40 HRc minimum.
- Vernier with guide for better thumb position.
- Vernier endurance: 20 000 cycles minimum.
- Vernier screw locking.
- Precision adjustment screw.
- Supplied in case with compliance certificate.



 805.S	
A [mm]	300.0
Thickness E [mm]	20.0
Head Height C [mm]	100.0
Accuracy [mm]	0.02
Bias Error ["]	30.0
Weight [g]	941.0