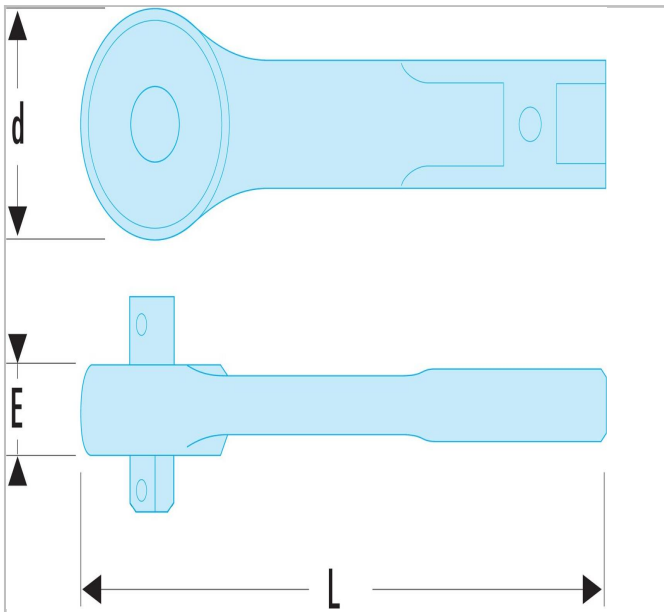


## S.203E | Square drive - drive 20 x 7 mm



### Description:

- For use on torque wrenches ref. J.203DA - S.203DA - S.306-100R - S.306-200R - S.306-350R.





S.203E