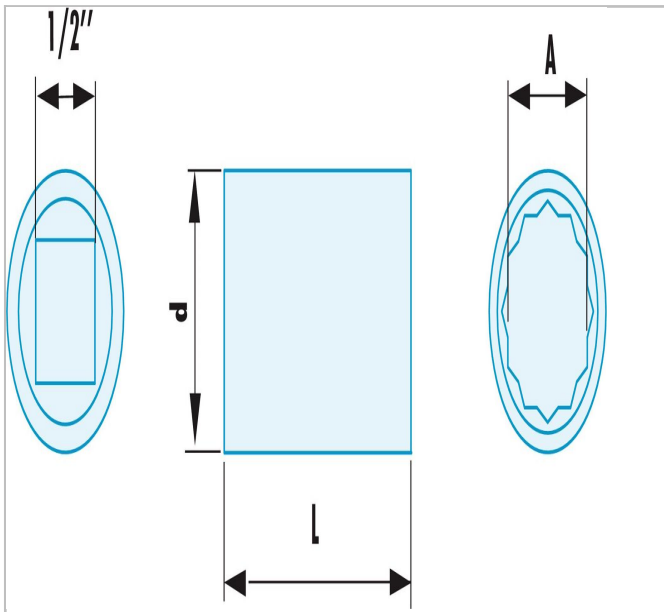



## S.20SR | Non sparking 1/2" metric 12-point sockets



### Description:

- Special non sparking and anti-magnetic Copper-Beryllium alloy.



 S.20SR	
A [mm]	20.0
Diameter D Maxi [mm]	29.0
Length L [mm]	42.0
Weight [g]	120.0