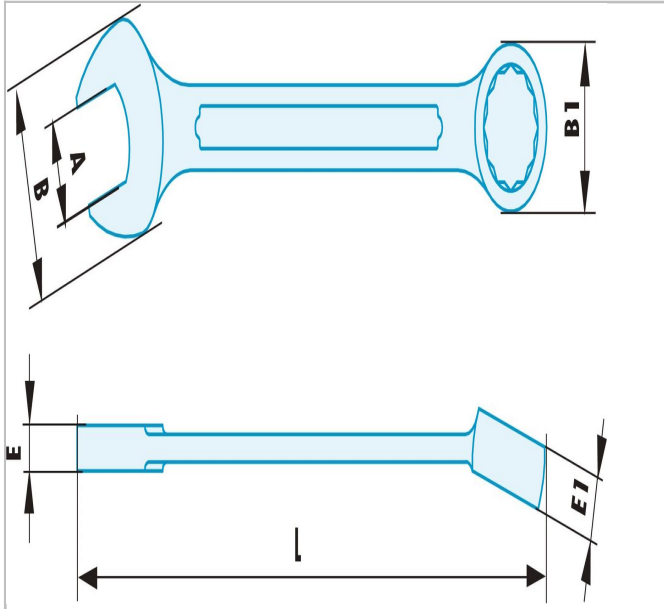



## 440.41SR | 440.SR - Non sparking metric combination wrenches



### Description:

- Special non sparking and anti-magnetic Copper-Beryllium alloy.



	<b>440.41SR</b>
A [mm]	41.0
Length L [mm]	430.0
Thickness E [mm]	15.0
Thickness E1 [mm]	21.0
Head Width B [mm]	82.0
Head Width B1 [mm]	64.0
Weight [g]	1400.0