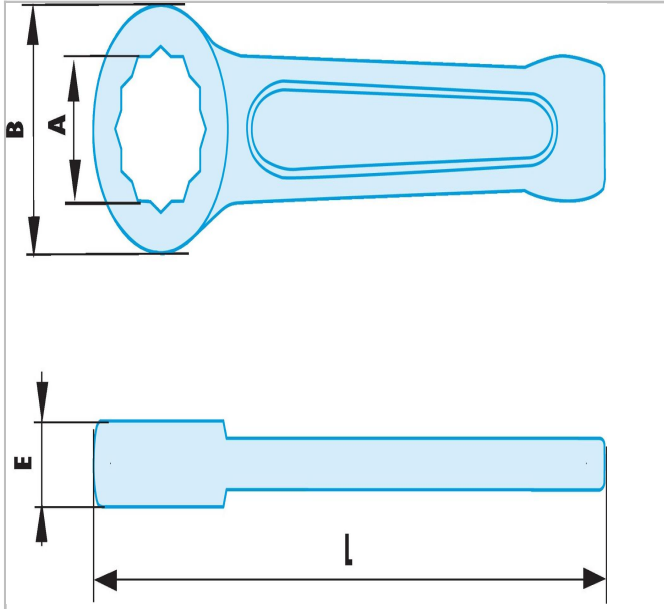



50.105SR | 50.SR - Non sparking metric impact ring wrenches



Description:

- Special non sparking and anti-magnetic Copper-Beryllium alloy.



	50.105SR
A [mm]	105.0
Length L [mm]	420.0
Thickness E [mm]	43.0
Head Width B [mm]	155.0
Weight [g]	7000.0