

NKB.33 | NKB - 3/4" drive long-reach metric thin-wall 6-point impact sockets

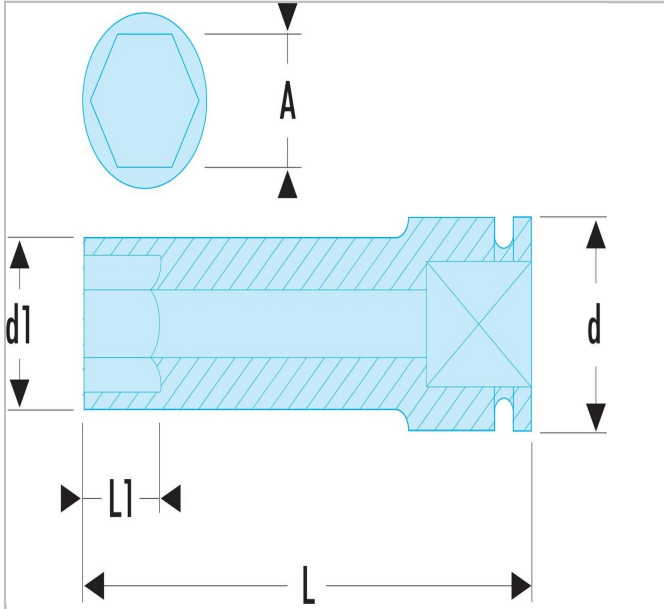



Standards:

NF ISO 2725-2, NF ISO 1711-2,
ISO 2725-2, ISO 1711-2, DIN
3129, ASME B107.33

Description:

- For your safety, use impact sockets and accessories with the appropriate rings and pins.
- Thin wall for better access.
- 6-point convex pattern for increased resilience.



 NKB.33	
A [mm]	33.0
Diameter [mm]	44.0
Length L [mm]	90.0
Diameter D1 [mm]	48.0
Length L1 [mm]	45.0
Weight [g]	750.0
Height H3 [mm]	33.0
Hex Size [mm]	6.0