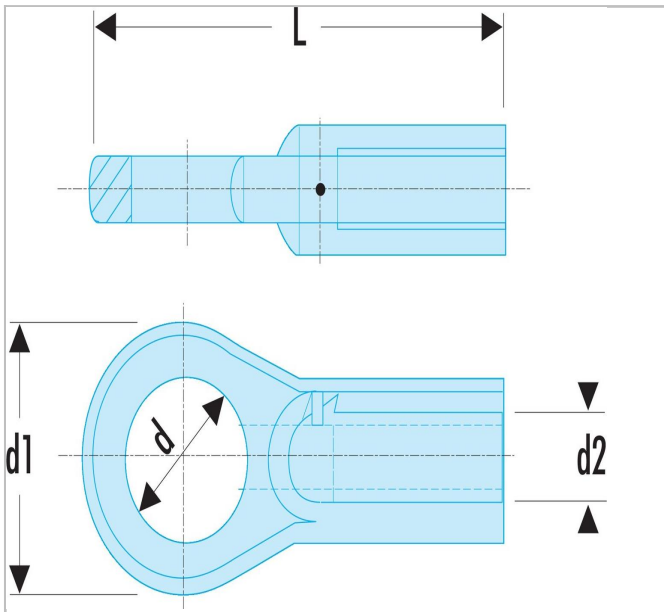



289.M18 | 289.M - Nut splitter



Description:

- For splitting a worn or jammed nut without damaging the screw thread.



	289.M18
Diameter [mm]	32.0
Diameter D Mini - Maxi [mm]	16 - 22
Diameter D1 [mm]	45.0
Diameter D2 [mm]	13.0
Length L [mm]	128.0
Weight [g]	350.0