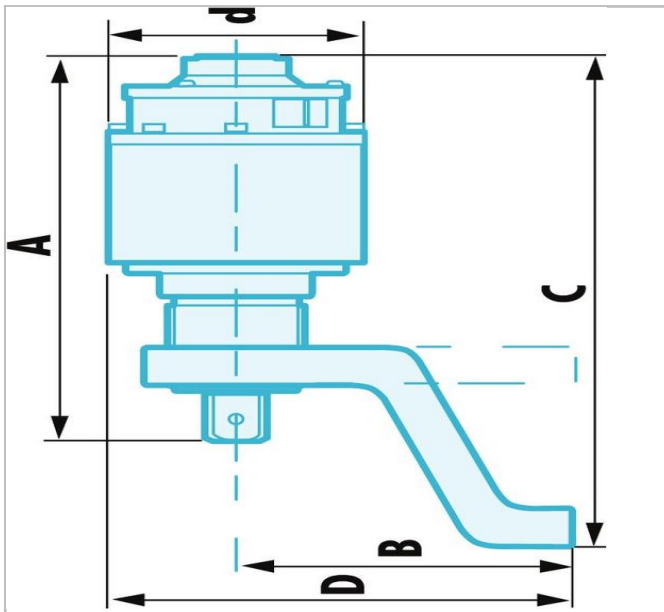



NP.600B | NP.B - Sets with torque multiplier



Description:

- Powerful tightening and untightening without external energy source.
- Constant multiplication ratio: 27:1.
- Safety: input torque limiter.
- Non-return system.
- Rate = 27:1.
- Supplied with 2 reaction arms (straight and angled) and one spare drive square, with a compliance certificate.



	NP.600B
A [mm]	271.0
Diameter [mm]	119.0
Head Height C [mm]	351.0
Head Width B [mm]	154.0
Weight [Kg]	10.6
Contents []	Box