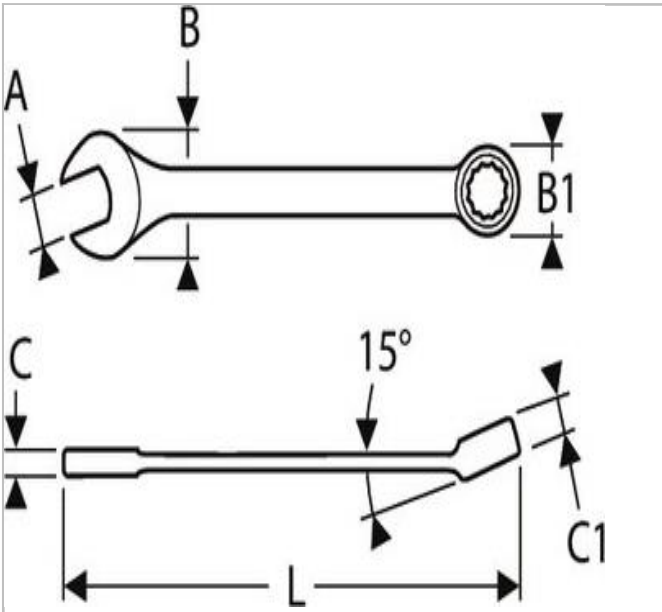



## E113235 | EXPERT Combination wrenches - Inch



### Description:

- ASME B 107-100
- 12-point OGV® ring angled at 15°.
- Open end angled at 15° from handle axis.
- OGV® profile maximizing the contact surface with the nut for a longer lifetime.
- Forged in Chrome Vanadium steel.
- High chrome finish.



	<b>E113235</b>
A [in]	15/16"
Length L [mm]	280.0
Thickness E1 [mm]	8.2
Thickness E2 [mm]	12.9
Head Width B [mm]	50.7
Head Width B1 [mm]	35.0
Weight [Kg]	0.293
Head Height C [mm]	8
Head Height C1 [mm]	12.9