

427.MT | Micro-Tech® 30° nose cutters

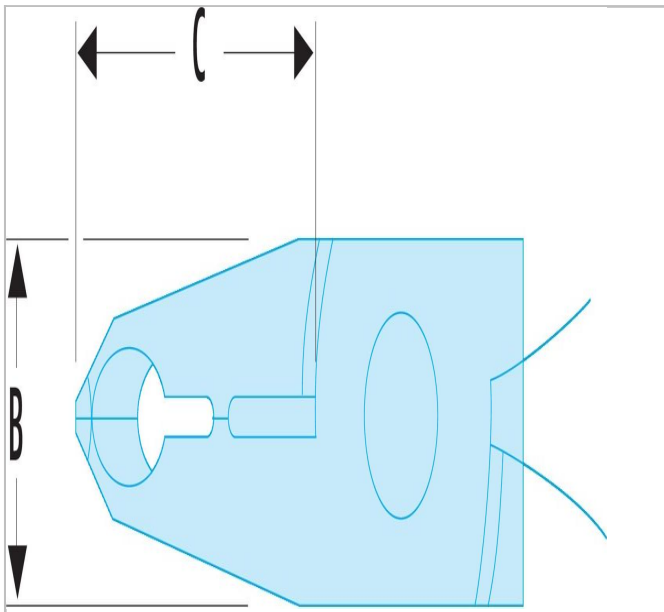



Standards:

NF ISO 9654, ISO 9654, DIN ISO 9654, ASME B107.500

Description:

- Cutting edges angled at 30° with rear clearance.
- Cut: flush.



	427.MT
Length L [mm]	120.0
Thickness E [mm]	7.0
Head Height C [mm]	23.0
Head Width B [mm]	11.0
Cu - Ni Diameter [mm]	0.2 - 0.6
Weight [g]	65.0