

427.E | ESD 30° angled cutters

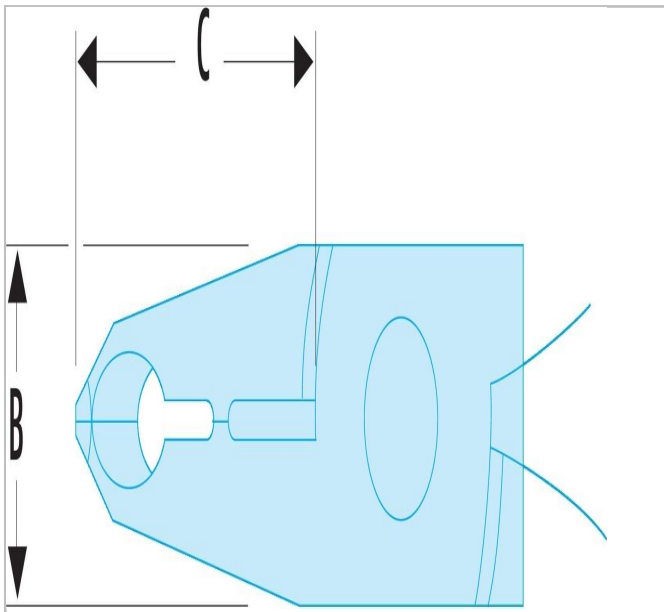



Standards:

NF ISO 9654, ISO 9654, DIN ISO 9654, ASME B107.500

Description:

- Protection of electronic components from risks of electrostatic discharge (ESD).
- Cutting edges angled at 30° with rear clearance.



	427.E
Length L [mm]	120
Thickness E [mm]	7
Head Height C [mm]	23.0
Head Width B [mm]	11
Length L1 [mm]	6