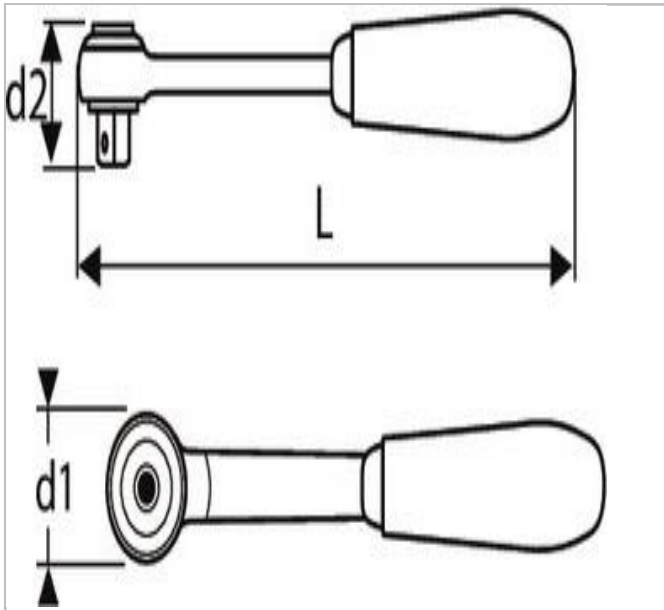



E031703 | EXPERT 3/8" hinged head ratchet



Description:

- ISO 3315
- DIN 3122
- ISO 1174-1
- 72 tooth mechanism.
- 5° increment.
- Compact & angled head for better access.
- High Chrome finish.
- Ergonomic bimaterial handle.



	E031703
Diameter D1 [mm]	43.6
Length L [mm]	234.2
Weight [Kg]	0.38