

R.14EL | R.EL - 1/4" long-reach metric 12-point sockets

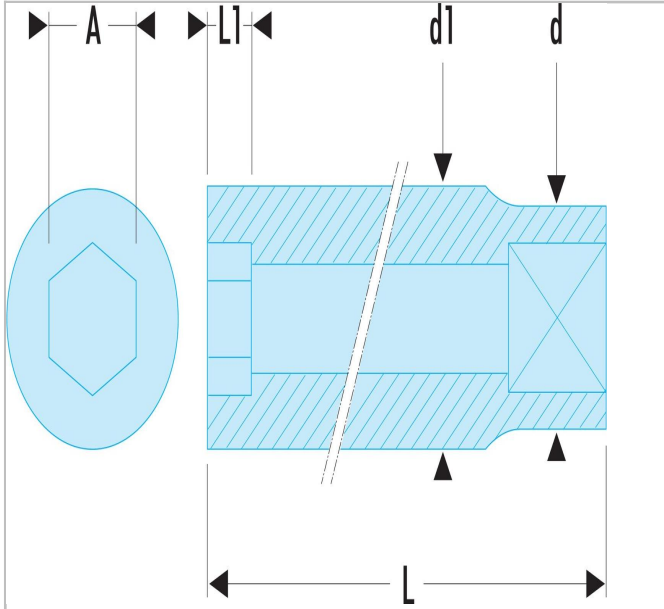



Standards:

NF ISO 2725-1, NF ISO 1711-1,
ISO 2725-1, ISO 1711-1, DIN
3124, ASME B107.5

Description:

- OGV® profile: more powerful tightening, preserves fasteners.
- Long-reach sockets for long recess or thread access.
- Available as rack sets (Ref REL.40U).
- Finish: bright chrome.



	R.14EL
A [mm]	0.6
Diameter [mm]	19.3
Diameter D1 [mm]	17.9
Length L [mm]	50.0
Length L1 [mm]	16.0
Weight [Kg]	0.068
12-Point [mm]	12.0